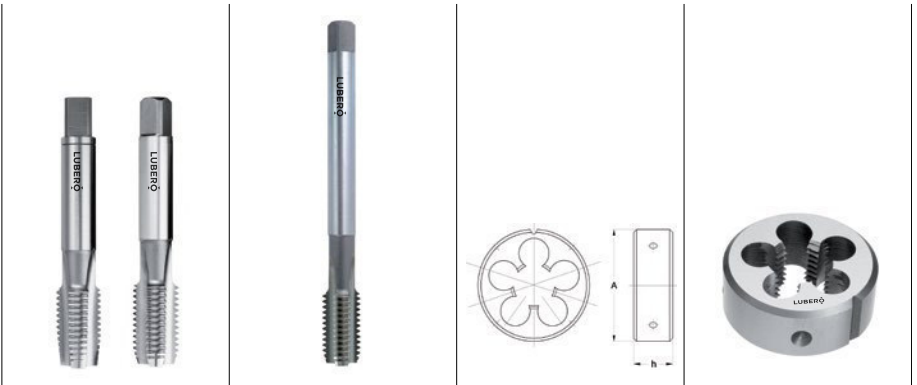
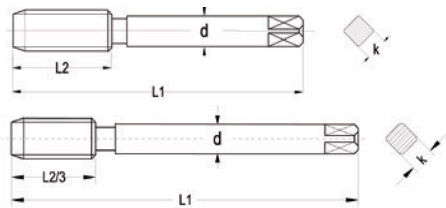




Stahl-Panzerrohrgewinde nach DIN 40430  
Steel Conduit Thread acc. to DIN 40430

DIN 2184-2 / DIN 2184-1

<b>3007</b>		<b>6027C</b>		<b>1507</b>	
UNI		UNI		UNI	
	HSSG		HSSE-G		HSS
	Oil		blank bright		Oil
	Satz a 2 Set of 2		Form C		1,5 - 2 x P
					EN 22568
					Form B



L1 mm	L2 mm	d mm	k mm	Ø <sub>1</sub>	D Nennmaß	P Gangzahl	CODE	EUR	CODE	EUR	A mm	h mm	Ø <sub>2</sub>	CODE	EUR
70	22	9,0	7,0	11,40	PG 7	20	344010009200100	59,30			38	10	12,40	104000009060100	41,70
70	22	12,0	9,0	14,00	PG 9	18	344010009200110	102,90			38	10	15,10	104000009060110	60,20
80	22	14,0	11,0	17,30	PG 11	18	344010009200120	168,00			45	14	18,50	104000009060120	60,20
80	22	16,0	12,0	19,00	PG 13,5	18	344010009200140	171,80			45	14	20,30	104000009060140	60,20
80	22	18,0	14,5	21,30	PG 16	18	344010009200150	180,90			55	16	22,40	104000009060150	88,20
90	22	22,0	18,0	27,00	PG 21	16	344010009200160	214,20			65	18	28,10	104000009060160	104,00
100	25	28,0	22,0	35,50	PG 29	16	344010009200180	321,00			65	18	36,90	104000009060180	166,00
140	40	36,0	29,0	45,50	PG 36	16	344010009200200	521,90			90	22	46,90	104000009060200	319,00
140	40	40,0	32,0	52,50	PG 42	16	344010009200220	815,40			90	22	53,90	104000009060220	412,00
160	40	45,0	35,0	58,00	PG 48	16	344010009200240	924,00			105	22	59,20	104000009060240	412,00
100	22	9,0	7,0	11,40	PG 7	20			524000009330300	43,30					
100	22	12,0	9,0	14,00	PG 9	18			524000009330310	70,10					
110	25	14,0	11,0	17,30	PG 11	18			524000009330320	89,10					
125	25	16,0	12,0	19,00	PG 13,5	18			524000009330330	109,00					
125	25	18,0	14,5	21,30	PG 16	18			524000009330350	129,00					
150	28	22,0	18,0	27,00	PG 21	16			524000009330360	184,00					
170	30	28,0	22,0	35,50	PG 29	16			524000009330390	300,00					
190	32	36,0	29,0	45,50	PG 36	16			524000009330400	358,00					
190	32	40,0	32,0	52,50	PG 42	16			524000009330420	558,00					
220	40	45,0	35,0	58,00	PG 48	16			524000009330430	587,00					