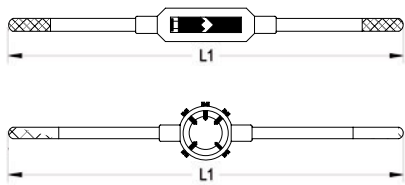
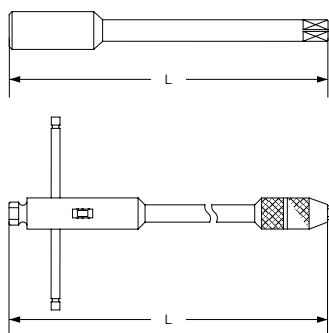


VW			SEH		
UNI			UNI		
DIN 1814	blank untreated		DIN 225	blank untreated	



L1 mm	Geeignet für Vierkant Suitable for square size	Größe Size	CODE	EUR	CODE	EUR
130	2,1 - 4,9	Gr. 0	700000000500000	6,30		
175	2,1 - 5,5	Gr. 1	700000000500010	7,30		
175	2,1 - 7,0	Gr. 1 1/2	700000000500015	7,30		
275	3,4 - 7,0	Gr. 2	700000000500020	12,00		
380	4,9 - 12,0	Gr. 3	700000000500030	22,50		
475	5,5 - 16,0	Gr. 4	700000000500040	29,60		
750	7,0 - 20,0	Gr. 5	700000000500050	50,80		
1000	12,0 - 24,0	Gr. 6	700000000500060	153,00		
1280	16,0 - 32,0	Gr. 7	700000000500070	265,00		
1120	16,0 - 40,0	Gr. 8	700000000500080	291,50		
160		16 x 5			710000000001650	5,30
195		20 x 5			710000000002050	5,30
195		20 x 7			710000000002070	5,30
215		25 x 9			710000000002590	6,30
260		30 x 11			710000000003011	8,30
320		38 x 10			710000000003810	11,80
320		38 x 14			710000000003814	11,80
450		45 x 14			710000000004514	18,00
450		45 x 18			710000000004518	18,00
495		55 x 16			710000000005516	24,00
495		55 x 22			710000000005522	24,00
560		65 x 18			710000000006518	37,50
560		65 x 25			710000000006525	37,50
705		75 x 20			710000000007520	121,00
910		75 x 30			710000000007530	121,00
920		90 x 22			710000000009022	154,00
920		90 x 36			710000000009036	154,00
970		105 x 22			710000000009700	260,00

GV			WH		
UNI			UNI		
DIN 377		Stahl steel			



L mm	Geeignet für Vierkant Suitable for square size	Größe Size	CODE	EUR	CODE	EUR
60		2,1	720000000000021	6,70		
70		2,4	720000000000024	6,70		
80		2,7	720000000000027	6,70		
90		3,0	720000000000030	6,70		
95		3,4	720000000000034	6,70		
100		3,8	720000000000038	8,20		
105		4,3	720000000000043	8,20		
110		4,9	720000000000049	7,80		
115		5,5	720000000000055	7,80		
120		6,2	720000000000062	10,00		
125		7,0	720000000000070	10,00		
125		8,0	720000000000080	12,00		
135		9,0	720000000000090	14,00		
140		10,0	720000000000100	18,00		
150		11,0	720000000000110	23,00		
155		12,0	720000000000120	23,00		
165		13,0	720000000000130	33,00		
175		14,5	720000000000145	37,00		
185		16,0	720000000000160	40,00		
195		18,0	720000000000180	46,00		
205		20,0	720000000000200	64,00		
80	2,5 - 5,5	Gr. 1A			740000000000010	12,80
250	2,5 - 5,5	Gr. 1B			740000000000011	20,90
110	4,5 - 7,0	Gr. 2A			740000000000020	16,00
310	4,5 - 7,0	Gr. 2B			740000000000021	25,90