



Amerikanisches Unified-Extra-Fein-Gewinde nach ANSI B1.1
American Unified-National-Extra-Fine-Thread acc. to ANSI B1.1

DIN 2184-1 / DIN 2184-2

30061

UNI

2B



HSSG



Oil

blank bright

Satz a 2
Set of 2



50261C / 60261C

UNI

2B



HSSE
-G



Oil

blank bright

Form C



15061

UNI

2A



HSS



Oil

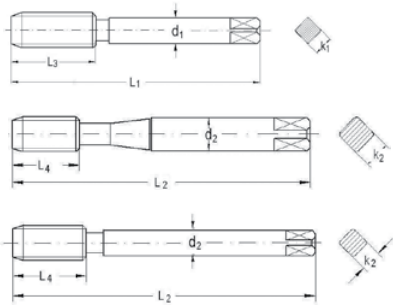
blank bright

1,5 - 2 x P



Form B

EN 22568



L1	L2	L3	L4	d1	d2	k1	k2	∠	D	P	CODE	EUR	CODE	EUR	A	h	∠	CODE	EUR
mm	mm	mm	mm	mm	mm	mm	mm	°	Zoll/Inch	Gangzahl					mm	mm	°		
56	80	14	17	6,0	6,0	4,9	4,9	4,70	UNEF Nr. 12	32	312610005200022	42,40	542600005330022	53,00	20	7	5,41	102600007060022	27,40
56	80	14	19	6,0	6,0	4,9	4,9	5,55	UNEF 1/4"	32	312610005200120	34,20	542600005330120	41,00	20	7	6,27	102600007060120	26,90
56	90	18	22	6,0	8,0	4,9	6,2	7,15	UNEF 5/16"	32	312610005200180	37,20	542600005330180	50,00	25	9	7,86	102600007060180	32,20
63	100	20	24	7,0	10,0	5,5	8,0	8,75	UNEF 3/8"	32	312610005200240	39,40	542600005330240	63,00	30	11	9,45	102600007060240	36,50
63	90	20	20	8,0	8,0	6,2	6,2	10,20	UNEF 7/16"	28	312610005200330	58,20	552600005330330	73,00	30	11	11,00	102600007060330	36,50
70	100	22	22	9,0	9,0	7,0	7,0	11,80	UNEF 1/2"	28	312610005200450	67,20	552600005330450	101,00	38	10	12,60	102600007060450	54,10
70	100	22	22	11,0	11,0	9,0	9,0	13,20	UNEF 9/16"	24	312610005200600	94,00	552600005330600	123,00	38	10	14,20	102600007060600	54,10
70	100	22	22	12,0	12,0	9,0	9,0	14,80	UNEF 5/8"	24	312610005200760	114,00	552600005330760	135,00	45	14	15,80	102600007060760	68,30
80	110	22	25	14,0	14,0	11,0	11,0	16,40	UNEF 11/16"	24	312610005200880	150,00	552600005330880	195,00	45	14	17,40	102600007060880	70,00
80	110	22	25	14,0	14,0	11,0	11,0	17,80	UNEF 3/4"	20	312610005201000	150,00	552600005331000	155,00	45	14	18,90	102600007061000	70,00
80	125	22	25	16,0	16,0	12,0	12,0	19,40	UNEF 13/16"	20	312610005202160	176,00	552600005332160	253,00	45	14	20,50	102600007062160	93,10
80	125	22	25	18,0	18,0	14,5	14,5	21,00	UNEF 7/8"	20	312610005202220	176,00	552600005332220	262,00	55	16	22,10	102600007062220	112,00
90	140	22	28	18,0	18,0	14,5	14,5	24,10	UNEF 1"	20	312610005202310	176,00	552600005332310	204,00	55	16	25,30	102600007062310	115,00
90	140	22	28	20,0	20,0	16,0	16,0	25,60	UNEF 1 1/16"	18	312610005202430	304,00	552600005332430	349,00	65	18	26,80		
90	150	22	28	22,0	22,0	18,0	18,0	27,20	UNEF 1 1/8"	18	312610005202490	260,00	552600005332490	297,00	65	18	28,40	102600007062490	186,00
90	150	22	28	22,0	22,0	18,0	18,0	28,80	UNEF 1 3/16"	18	312610005202610	314,00	552600005332610	497,00	65	18	30,00		
90	150	22	28	22,0	22,0	18,0	18,0	30,30	UNEF 1 1/4"	18	312610005202670	314,00	552600005332670	317,00	65	18	31,60	102600007062670	196,00
100	170	25	30	28,0	28,0	22,0	22,0	31,90	UNEF 1 5/16"	18	312610005202790	392,00	552600005332790	469,00	65	18	33,20		
100	170	25	30	28,0	28,0	22,0	22,0	33,50	UNEF 1 3/8"	18	312610005202850	392,00	552600005332850	394,00	65	18	34,80	102600007062850	205,00
100	170	25	30	28,0	28,0	22,0	22,0	35,10	UNEF 1 7/16"	18	312610005202970	512,00	552600005332970	448,00	75	20	36,40		
100	170	25	30	28,0	28,0	22,0	22,0	36,70	UNEF 1 1/2"	18	312610005203000	512,00	552600005333000	385,00	75	20	37,90	102600007063000	282,00